

For private, public and industrial car parks.

Electromechanical barrier gate, 24 Vdc, with adjustable speed and anti-crushing safety feature. Intensive use.

Four versions:
up to 4 m (WIL4, WIL4I),
up to 6 m (WIL6, WIL6I).

Galvanised steel, painted case or AISI 304 (WIL4I, WIL6I).

Incorporated control unit, can be removed, making wiring and maintenance easier.

Easy to install: the bar can be assembled on either the right or left hand side indifferently.

Easy to balance: linear adjustment of the spring.

The system will operate during a blackout by means of internally fitted, rechargeable batteries.

The limit switches for slowdown during both opening and closing can be adjusted both mechanically and electronically.

Speed can be electronically adjusted: WIL4, 3.5 second minimum opening time; WIL6, 5 second opening time.

Anti-crush safety feature on opening and closing.

Painted aluminium bar profile: easy to assemble the signalling lights and pneumatic edge.

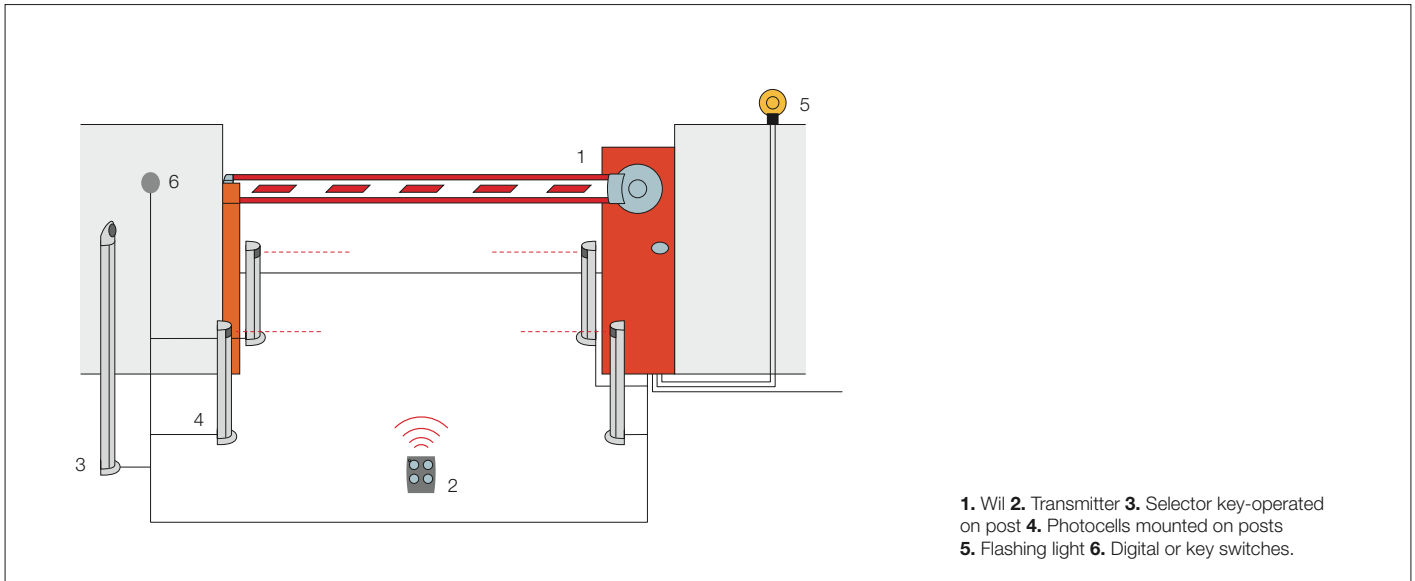
Led signalling lights: highly efficient and long-lasting.

Protected simple key-operated release.

Code	Description
WIL4	For bars up to 4 m, irreversible 230 Vac, 24 Vdc motor, with galvanised steel painted case
WIL4I	For bars up to 4 m, irreversible 230 Vac, 24 Vdc motor, with satin stainless steel case
WIL6	For bars up to 6 m, irreversible 230 Vac, 24 Vdc motor, with galvanised steel painted case
WIL6I	For bars up to 6 m, irreversible 230 Vac, 24 Vdc motor, with satin stainless steel case

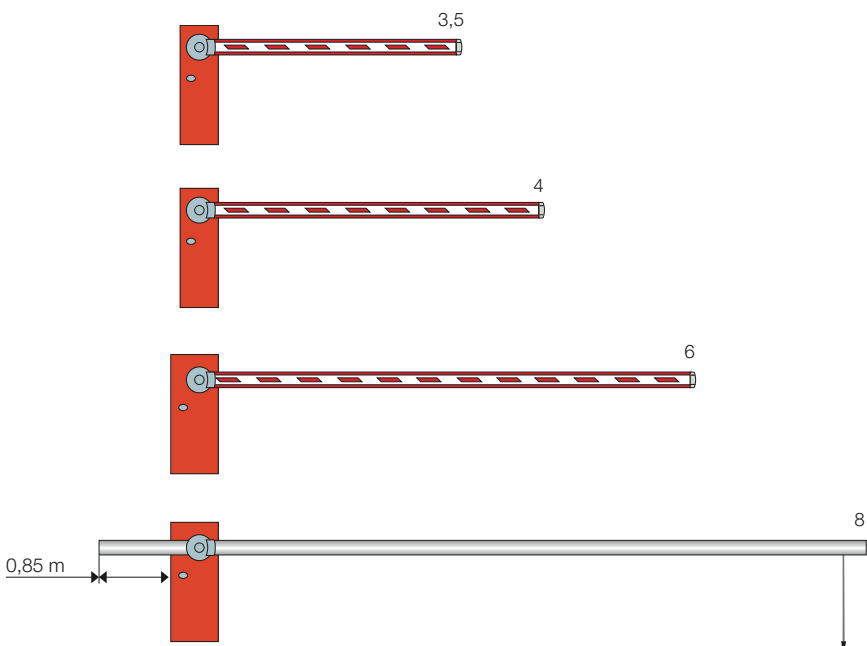
Technical specifications

Code	WIL4 - WIL4I	WIL6 - WIL6I
Electrical data		
Power supply (Vac 50/60 Hz)	230	
Absorption (A)	1.1	0.6
Power (W)	300	360
Performance data		
Minimum opening time (s)	3.5	5
Torque (Nm)	140	200
Work cycle (%)	80	
Dimensional and general data		
Protection level (IP)	54	
Working temp. (°C Min/Max)	-20 ÷ +50	
Dimensions (mm)	320x220x1000 h	420x220x1050 h
Weight (kg)	46	54



1. Wil **2.** Transmitter **3.** Selector key-operated on post **4.** Photocells mounted on posts **5.** Flashing light **6.** Digital or key switches.

Utilisation limits



WIL4 / WIL4I up to 3.5 m
fully accessoried bar
without speed limit.

WIL4 / WIL4I up to 4 m
fully accessoried bar with speed limit
and a WA13 rack max lenght of 2 m
or
4 m rack lenght without shockproof
rubber strip WA2.

WIL6 / WIL6I up to 6 m
fully accessoried bar with speed limit
and a WA13 rack max lenght of 4 m
or
WA13 rack lenght 6 m,
without shockproof rubber strip WA2.

WIL6 / WIL6I up to 8 m
with WA24 (bar without accessories),
with no limits to speed.

Bar lenght (m)

Tubular aluminium bars don't need the use of accessories (only WA11).

Accessories for WIL4 / WIL4I



WA1
Aluminium bar, painted white 36x73x4250 mm.
Pc/pack 1



WA25
Pivoting connection for rettangular bars up to 4 m.
Pc/pack 1



WA2
8 m pack of red shockproof rubber strip with caps to close WA1 bar.
Pc/pack 1



WA14
Joint for rods WA1 (from 1950 mm to 2400 mm).
Pc/pack 1



WA3
Tubular aluminium bar, painted white Ø 70x4250 mm, suitable where there are strong winds only with WA11.
Pc/pack 1



WA4
Connection for the WA3 bar.
Pc/pack 1



WA15
Anchorage base with clamps.
Pc/pack 1

Accessories for WIL6 / WIL6I



WA21
Aluminium bar, painted white 36x94x6250 mm.
Pc/pack 1



WA22
Modular bar, plus joint painted white, 2 sections 36x94x3125 mm.
Pc/pack 2



WA6
Pack 12 m of red, shockproof, rubber strip with caps to close the bars WA21, WA22.
Pc/pack 1



WA24
Tubular telescopic bar in white painted aluminium, max. length 8 m, complete with mobile support WA12, counterweight and connector. 6 m overall length for transportation. See draft page 97.
Pc/pack 1



WA7
Tubular aluminium bar, painted white Ø 90x6250 mm suitable where there are strong winds, only with WA11.
Pc/pack 1



WA8
Connection for the WA7 bar.
Pc/pack 1



WA16
Anchorage base with clamps.
Pc/pack 1

Common accessories



WA20
Spare control unit.



CARICA
Plug-in card
for battery charger.
Pc/pack 1



B12-B
12 V, 6 Ah batteries.
Pc/pack 1



WA9
Pack of flashing signals,
wired for WA1, WA21,
WA22 bars.
Pc/pack 6



WA10
Red adhesive
reflector strips.
Pc/pack 24



WA13
Aluminium rack (2 m)
for WA1, WA21, WA22
bars.
Pc/pack 1



WA11
Adjustable stand
for bars.
Pc/pack 1



WA12
Mobile stand
for bars.
Pc/pack 1



PO
Support bracket
for photocells Bf, FE.
Pc/pack 4